

**PARTS LIST**

[ XV-521BK ]  
[ XV-523GD ]  
[ XV-522SL ]

\* All printed circuit boards and its assemblies are not available as service parts.

<b>XV-521BK</b>
Area suffix
B ----- U.K.
EN ----- Northern Europe
EG ---- Gremany ,France,Greece, Netherlands,Switzerland
ES-----Spain,Italy
EE ----- Russian Federation

<b>XV-523GD/XV-522SL</b>
Area suffix
B ----- U.K.
EN ----- Northern Europe
EG ---- Gremany,France,Greece, Netherlands,Switzerland
ES-----Spain,Italy

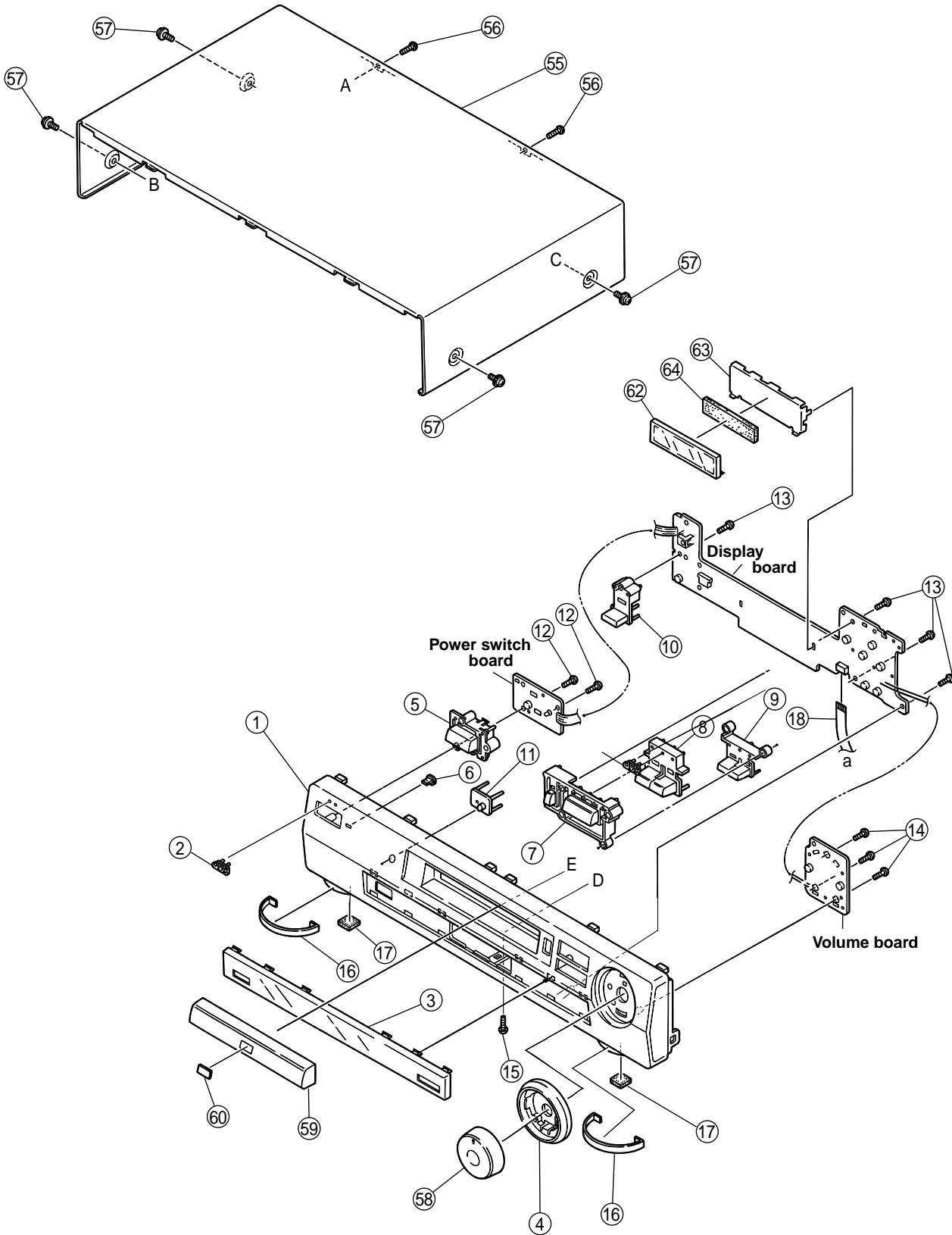
- Contents -

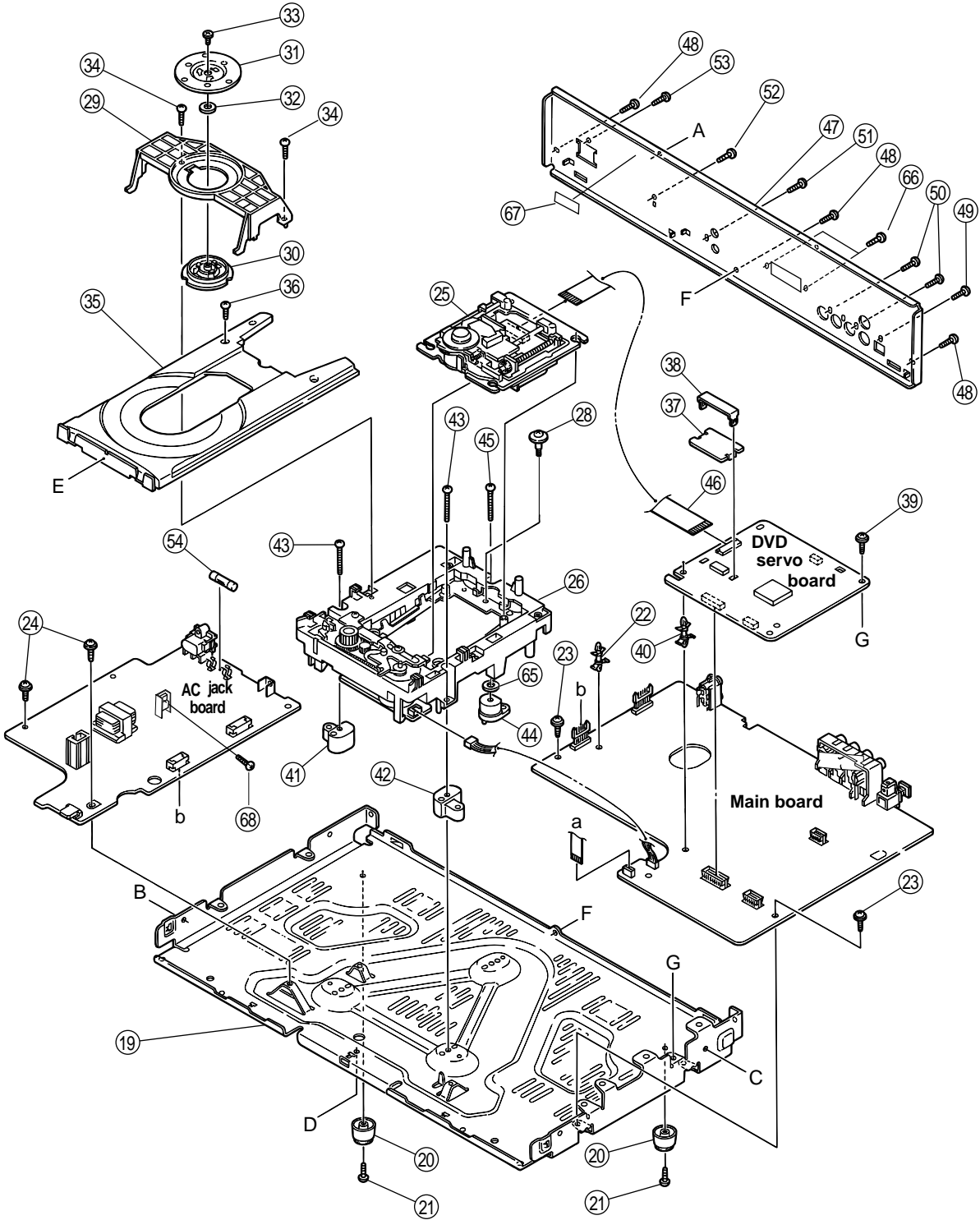
Exploded view of general assembly and parts list .....	3-2
DVD mechanism assembly and parts list .....	3-6
DVD loading base assembly and parts list .....	3-8
Electrical parts list .....	3-10
Packing materials and accessories parts list .....	3-20

# Exploded view of general assembly and parts list

Block No. 

M	1	M	M
---	---	---	---





## ■ Parts list (General assembly)

Block No. M1MM

△	Item	Parts number	Parts name	Q'ty	Description	Area
	1	LV10320-007A	FRONT PANEL	1	XV-523GD	
		LV10320-212A	FRONT PANEL	1	XV-522SL	
		LV10320-002A	FRONT PANEL	1	XV-521BK	
	2	VJD5429-002SS	JVC MARK	1	XV-522SL	
		VJD5429-001SS	JVC MARK	1	XV-521BK/523GD	
	3	LV20630-003A	FRONT LENS(A)	1	XV-523GD/522SL	
		LV20630-001A	FRONT LENS(A)	1	XV-521BK	
	4	LV31163-003A	SHUTTLE RING	1	XV-522SL	
		LV31163-002A	SHUTTLE RING	1	XV-523GD	
		LV31163-001A	SHUTTLE RING	1	XV-521BK	
	5	LV31655-003A	POWER BUTTON	1	XV-523GD	
		LV31655-002A	POWER BUTTON	1	XV-521BK	
		LV31655-205A	POWER BUTTON	1	XV-522SL	
	6	FSJD4001-002	INDICATOR	1	FOR POWER LED	
	7	LV31656-001A	PUSH BUTTON(A)	1	XV-521BK	
		LV31656-002A	PUSH BUTTON(A)	1	XV-523GD	
		LV31656-003A	PUSH BUTTON(A)	1	XV-522SL	
	8	LV31657-001A	PUSH BUTTON(B)	1	XV-521BK	
		LV31657-002A	PUSH BUTTON(B)	1	XV-523GD	
		LV31657-003A	PUSH BUTTON(B)	1	XV-522SL	
	9	LV31658-002A	PUSH BUTTON(C)	1	XV-523GD/522SL	
		LV31658-001A	PUSH BUTTON(C)	1	XV-521BK	
	10	LV31659-001A	PUSH BUTTON(3D)	1	3D PHONIC	
	11	E308744-002	REMOTE LENS	1	XV-521BK	
		E308744-003	REMOTE LENS	1	XV-523GD/522SL	
	12	QYSBSF2608Z	T.SCREW	2	BIND --> BRAZIE	
	13	QYSBSF2608Z	T.SCREW	4	BIND --> BRAZIE	
	14	QYSBSF2608Z	T.SCREW	3	BIND --> BRAZIE	
	15	QYSBSG3008M	T.SCREW	1	ADJUST FOR FITT	
	16	LV31790-201A	FOOT PLATE	2	FOR FRONT	
	17	E75896-001	FELT SPACER	2	FOR FOOT	
	18	QUQB12-0809AJ	FFC WIRE	1	FRONT --> AUDIO	
	19	LV10321-001A	CHASSIS BASE	1		
	20	E47227-008	FOOT	2	REAR	
	21	QYSBST3008Z	T.SCREW	2	FOR FOOT	
	22	LV41875-001A	FASTENER	1	SYSTEM + POWER	
	23	QYSBSGG3006Z	SCREW	2	SYSTEM + CHASSI	
	24	QYSBSGG3006Z	SCREW	2	POWER + CHASSIS	
	25	-----	DVD TRAVERSE MECHA	1		
	26	-----	DVD LOADING BASE	1		
	28	E406293-001	SPECIAL SCREW	1	FOR ELEVATOR BA	
	29	E26756-222SS	CD CLAMPER BASE	1		
	30	LV31675-002A	CLAMPER	1		
	31	LV31676-001A	YOKE	1		
	32	LV41118-001A	MAGNET	1		
	33	LV41741-001A	SPECIAL SCREW	1	CLAMPER + YOKE	
	34	QYSBSF3008M	SCREW	2	C.BASE + L.BASE	
	35	LV10324-001A	TRAY	1		

**Parts list (General assembly)**

Block No. M1MM

△	Item	Parts number	Parts name	Q'ty	Description	Area
	36	QYSBSF3008M	SCREW	1	FOR TRAY STOPPE	
	37	LV41362-201A	HEAT SINK	1	FOR IC ON MODUL	
	38	LV41363-202A	HOLDER	1	FOR HEAT SINK	
	39	QYSBSSG3006Z	SCREW	1	MODULE + CHASSI	
	40	E408621-002	FASTENER	1	SYSTEM + MODULE	
	41	E309322-001SC	STAND(L)	1	MECHA FORE SIDE	
	42	E309321-001SC	STAND(R)	1	MECHA FORE SIDE	
	43	QYSBST3020Z	T.SCREW	2	MECHA + CHASSIS	
	44	E309323-001SC	STAND(REAR)	1	MECHA REAR SIDE	
	45	QYSBST3020Z	T.SCREW	1	MECHA + CHASSIS	
	46	QUQ605-4015AJ	FFC WIRE	1	MECHA --> MODUL	
	47	LV20698-021A	REAR PANEL	1	XV-522SL	
		LV20698-003A	REAR PANEL	1	XV-521BK	EE
		LV20698-010A	REAR PANEL	1	XV-523GD	
		LV20698-002A	REAR PANEL	1	XV-521BK	EN,ES,EG,B
	48	QYSBSGY3008M	SPECIAL SCREW	3	REAR + CHASSIS	
	49	QYSBSGY3008M	SPECIAL SCREW	1	DIGITAL OUT	
	50	QYSBSGY3008M	SPECIAL SCREW	2	LEFT & RIGHT ON	
	51	QYSBSGY3008M	SPECIAL SCREW	1	COMPU LINK	
	52	QYSBSGY3008M	SPECIAL SCREW	1	GND TERMINAL	
	53	QYSBSGY3008M	SPECIAL SCREW	1	AC INLET	
△	54	QMF51E2-1R6-J1	FUSE	1		
	55	LE20082-004A/S/	METAL COVER	1	XV-521BK	
		LE20082-225A/S/	METAL COVER	1	XV-522SL	
		LE20082-002A/S/	METAL COVER	1	XV-523GD	
	56	QYSBSGY3008M	SPECIAL SCREW	2	METAL + REAR	
	57	E406308-004	SPECIAL SCREW	4	XV-523GD/522SL	
		E406308-003	SPECIAL SCREW	4	XV-521BK	
	58	LE30714-005A	SHUTTLE KNOB	1	XV-523GD	
		LE30714-006A	SHUTTLE KNOB	1	XV-522SL	
		LE30714-001A	SHUTTLE KNOB	1	XV-521BK	
	59	LV20631-004A	TRAY FITTING	1	XV-522SL	
		LV20631-001A	TRAY FITTING	1	XV-521BK	
		LV20631-002A	TRAY FITTING	1	XV-523GD	
	60	LE40564-002A	MARK	1	NEW DVD LOGO MA	
	62	QLF0064-001	FL TUBE	1	DI801	
	63	E308192-331	FL HOLDER	1	BK801	
	64	E306805-134	SPACER	1		
	65	LV30226-018A	SPACER	1		
	66	QYSBSGY3008M	SPECIAL SCREW	2	COMPOSIT Y/C SW	
	67	LV40231-001A	CAUTION LABEL	1	REAR INSIDE	
	68	QYSBSE3008Z	SCREW	1		

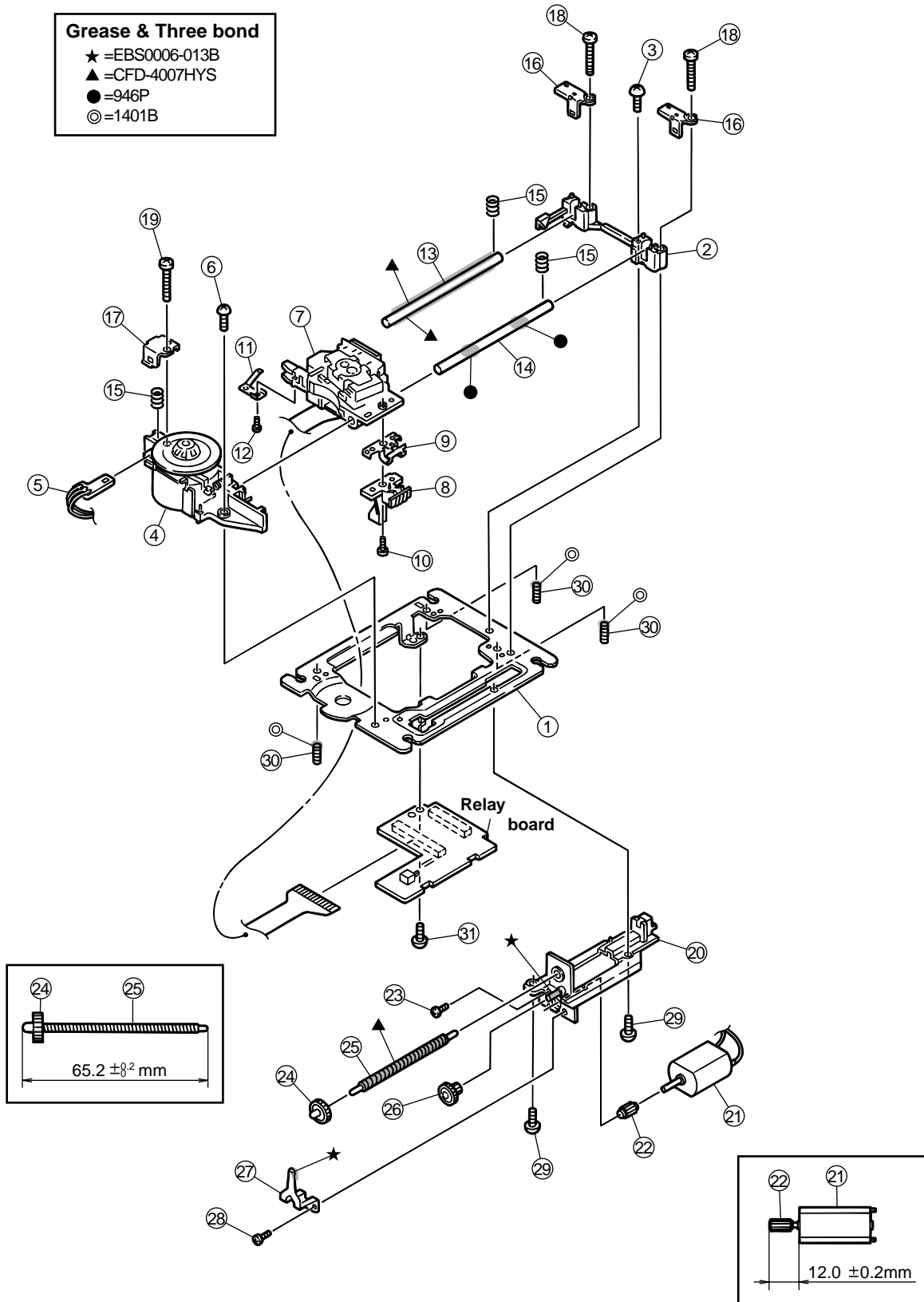
# DVD mechanism assembly and parts list

Block No. M 2 M M

FXL-V6-1C

**Grease & Three bond**

- ★ =EBS0006-013B
- ▲ =CFD-4007HYS
- =946P
- ◎ =1401B



**Parts list (DVD mechanism)**

Block No. M2MM

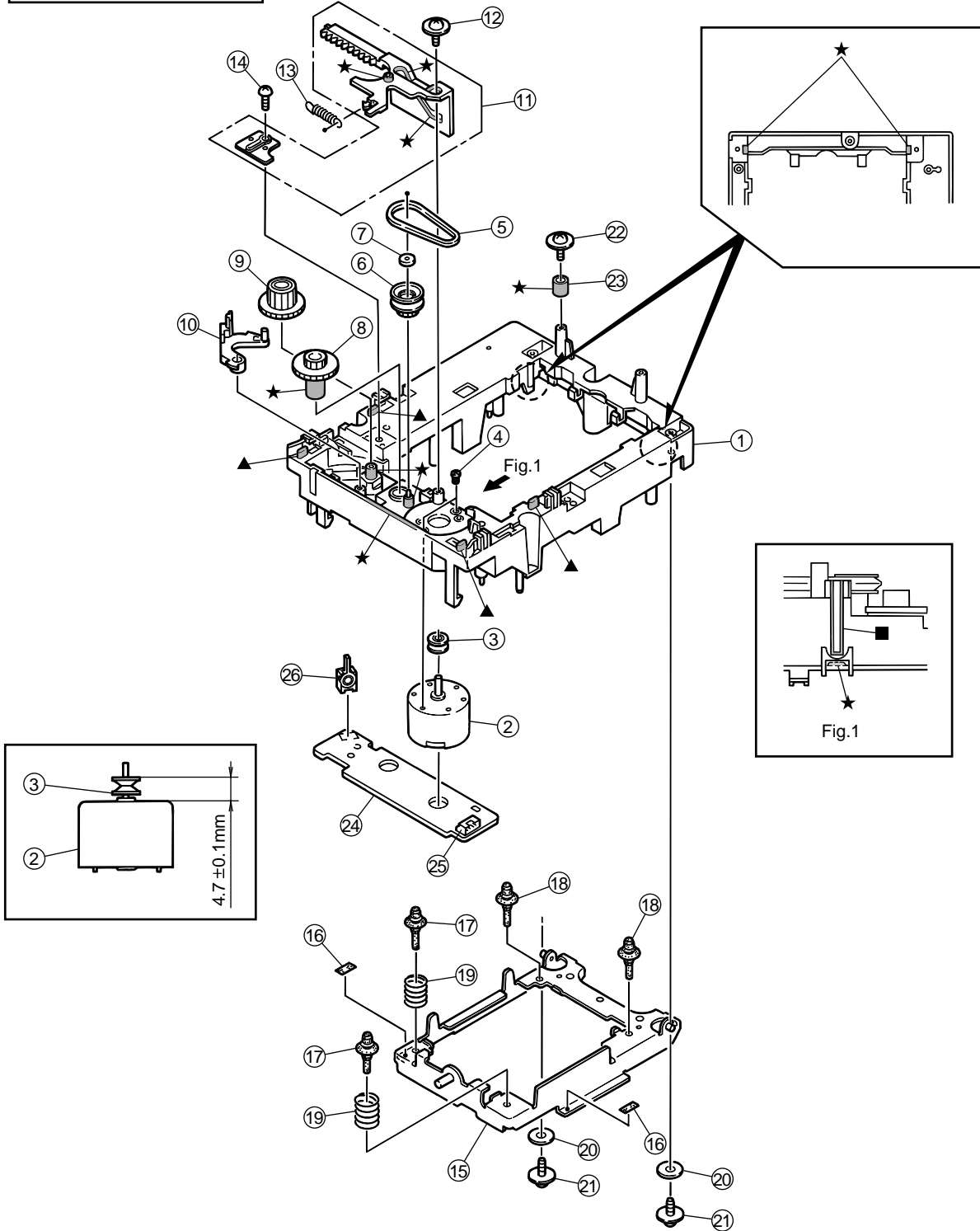
△	Item	Parts number	Parts name	Q'ty	Description	Area
	1	LV20638-001A	MECHA BASE	1		
	2	LV20635-001A	SHAFT HOLDER	1		
	3	QYSBST2606M	T.SCREW	1		
	4	VDG1099001TSVME	SP. MOTOR ASS'Y	1		
	5	QUM193-08B2B2	PARA RIBON WIRE	1		
	6	QYSBST2606M	T.SCREW	1	FOR S.BASE&M.BA	
	7	OPTIMA-2010A1	DVD PICKUP	1		
	8	LV31670-001A	SWITCH ACTUATOR	1		
	9	LV31666-002A	LEAD SPRING	1		
	10	QYSPSGT2040M	SCREW	1		
	11	LV31743-002A	P.U. SPRING	1		
	12	QYSPSGT1416M	MINI SCREW	1		
	13	LV41121-002A	SHAFT	1	MAIN SHAFT	
	14	LV41121-002A	SHAFT	1	SUB SHAFT	
	15	LV41732-001A	SKEW SPRING	3		
	16	LV31669-001A	SHAFT STOPPER R	2		
	17	LV31668-001A	SHAFT STOPPER F	1		
	18	QYSPST2614M	SCREW	2	FOR SSTOPER R	
	19	QYSPST2614M	SCREW	1	FOR SSTOPER F	
	20	LV31746-003A	FEED HOLDER ASY	1		
	21	QAR0127-001	FEED MOTOR	1		
	22	LV41510-001A	FEED GEAR T	1		
	23	QYSPSPU2040M	SCREW	1	FOR F.M	
	24	LV41512-001A	FEED GEAR E	1		
	25	LV41517-001A	LEAD SCREW	1		
	26	LV41511-002A	FEED GEAR M	1		
	27	LV31667-001A	THRUST SPRING	1		
	28	QYSPSPU2040M	SCREW	1	FOR F.M	
	29	QYSBST2606M	T.SCREW	2	FOR F.HOLDER	
	30	QYYASPF2608N	HEX SCREW	3	FOR TILT ADJUST	
	31	QYSBST2606M	T.SCREW	1	FOR PW BOARD	

# DVD loading base assembly and parts list

Block No. M 3 M M

FLM-121-1C

**Grease**  
 ★ =G-474C  
 ▲ =EBS0006-009B  
 ■ =G-330





**Parts list (DVD loading base)**

Block No. M3MM

△	Item	Parts number	Parts name	Q'ty	Description	Area
	1	E102357-441	LOADING BASE	1		
	2	MMN-6F1LB8K	MOTOR	1		
	3	E75984-001SC	MOTOR PULLEY	1		
	4	QYSPSPT2640Z	MINI SCREW	2		
	5	E75950-002	BELT	1		
	6	E75985-222SS	GEAR(1)	1		
	7	E60912-005SS	SPEED NUT	1		
	8	E75986-221SS	GEAR (2)	1		
	9	E75987-221SS	GEAR (3)	1		
	10	E307162-331	LEVER	1		
	11	E307252-331	CAM PLATE	1		
	12	E65923-003	TAPPING SCREW	1		
	13	E75989-001	SPRING	1		
	14	QYSBSF3008Z	SCREW	1		
	15	E307179-332	E.BASE ASS'Y	1		
	16	LV30225-089A	SPACER	2		
	17	LV41527-001A	INSULATOR	2		
	18	LV41527-002A	INSULATOR	2		
	19	E406871-001	SPRING	2		
	20	LV30226-019A	SPACER	2		
	21	E65923-003	TAPPING SCREW	2		
	22	QYSBSFG3008Z	T.SCREW	1		
	23	LV41961-001A	TRAY TUBE	1		
	24	EMW10095-003	P.C.BOARD	1	LOADING MOTOR	
	25	QGA2001F1-05	5P PLUG ASSY	1		
	26	QSW0472-001	SWITCH	1		

■ Electrical parts list (Power board)

Block No. 01

△	Item	Parts number	Parts name	Remarks	Area	△	Item	Parts number	Parts name	Remarks	Area
	C 801	QCFB1HZ-104Y	C CAPACITOR	.10MF +80:-20%			D 908	ERA18-04-T1	FR DIODE		
	C 802	QEKC1AM-476Z	E.CAPACITOR	47MF 20% 10V			D 910	ERA18-04-T1	FR DIODE		
	C 811	QCFB1HZ-104Y	C CAPACITOR	.10MF +80:-20%			D 911	1SS133-T2	SI DIODE		
	C 812	QEKC0JM-476Z	E.CAPACITOR	47MF 20% 6.3V			D 950	MTZJ22C-T2	ZENER DIODE		
	C 813	QCFB1HZ-104Y	C CAPACITOR	.10MF +80:-20%			D 951	AU02-T1	FR DIODE I/M		
	C 814	QCS11HJ-220	C CAPACITOR	22PF 5% 50V			D 952	AU02-T1	FR DIODE I/M		
	C 821	QEKC1HM-475Z	E.CAPACITOR	4.7MF 20% 50V		△	D 953	FMB-24	FUSEIODE		
△	C 902	QFZ9040-683	M CAPACITOR	.068MF		△	D 954	ERA18-04-T1	FR DIODE		
△	C 906	QCZ9079-102	C CAPACITOR	1000PF		△	D 956	ERA18-04-T1	FR DIODE		
	C 907	QEZ0374-826	E.CAPACITOR	82MF			D 957	ERA18-04-T1	FR DIODE		
	C 908	QCZ0136-332Z	C CAPACITOR	3300PF			D 960	MTZJ2.0A-T2	ZENER DIODE		
	C 909	QCZ0136-101Z	C CAPACITOR	100PF			D 970	1SS133-T2	SI DIODE		
	C 910	QCBB1HK-221Y	C CAPACITOR	220PF 10% 50V			D 972	1SS133-T2	SI DIODE		
	C 913	QCZ0136-101Z	C CAPACITOR	100PF			D 973	1SS133-T2	SI DIODE		
	C 914	QEMX1EM-396Z	E CAPA I/M	39MF 20% 25V			D 974	1SS133-T2	SI DIODE		
	C 915	QCBB1HK-471Y	C CAPACITOR	470PF 10% 50V			D 991	MTZJ5.1A-T2	ZENER DIODE		
△	C 916	QCZ9079-332	C CAPACITOR	3300PF			FC901	QNG0003-001Z	FUSE CLIP		
	C 918	QCFB1HZ-104Y	C CAPACITOR	.10MF +80:-20%			FC902	QNG0003-001Z	FUSE CLIP		
	C 951	QCBB1HK-101Y	C CAPACITOR	100PF 10% 50V			FL901	E67132-T1R6	T1R6 FUSE LABEL		
	C 952	QCBB1HK-101Y	C CAPACITOR	100PF 10% 50V			FW802	QUM124-13Z4Z4	FLAT WIRE	TO FW841(PSW)	
	C 953	QCBB1HK-101Y	C CAPACITOR	100PF 10% 50V			HS901	E70306-002	HEAT SINK		
	C 954	QCBB1HK-101Y	C CAPACITOR	100PF 10% 50V			HS964	LE40505-001A	HEAT SINK		
	C 956	QCBB1HK-101Y	C CAPACITOR	100PF 10% 50V			IC801	GP1U271X	RM RECIVER		
	C 957	QCBB1HK-101Y	C CAPACITOR	100PF 10% 50V			IC802	M35500BGP	FL DRIVER		
	C 960	QEMX1AM-826Z	E CAPA. I/M	82MF 20% 10V			IC901	STR-G6651	IC		
	C 961	QCZ0205-155Z	ML C CAPACITOR	1.5MF			IC951	PQ05RD21	IC		
	C 962	QETN1HM-226Z	E CAPACITOR	22MF 20% 50V			IC953	NJM78M05FA	IC		
	C 963	QEMX1HM-396Z	E CAPA I/M	39MF 20% 50V		△	L 901	QQR1105-001	LINE FILTER		
	C 964	QETN1HM-226Z	E CAPACITOR	22MF 20% 50V			L 951	QQL01BK-R22Z	P COIL		
	C 965	QEMV1AM-108	E CAPACITOR	1000MF 20% 10V			L 952	QQR1098-001	INDUCTOR		
	C 966	QETN1AM-477Z	E CAPACITOR	470MF 20% 10V			L 955	QQR1098-001	INDUCTOR		
	C 967	QFVC1HJ-104Z	M.M.CAPACITOR	.10MF 5% 50V			L 957	QQR1098-001	INDUCTOR		
	C 968	QFVC1HJ-104Z	M.M.CAPACITOR	.10MF 5% 50V			L 959	QQR1098-001	INDUCTOR		
	C 969	QETN1AM-227Z	E CAPACITOR	220MF 20% 10V			P 901	QNC0006-001	AC SOCKET		
	C 970	QFVC1HJ-104Z	M.M.CAPACITOR	.10MF 5% 50V		△	PC901	PC123FY	IC(PHOTO COUPLE		
	C 973	QETN1AM-107Z	E CAPACITOR	100MF 20% 10V		△	PC902	PC123FY	IC(PHOTO COUPLE		
	C 976	QFVC1HJ-104Z	M.M.CAPACITOR	.10MF 5% 50V			Q 951	2SC2060/QR/-T	TRANSISTOR		
	C 977	QFVC1HJ-104Z	M.M.CAPACITOR	.10MF 5% 50V			Q 952	KRA104M-T	D.TR.I.M		
	C 978	QETN1AM-107Z	E CAPACITOR	100MF 20% 10V			Q 953	2SA1175/FE/-T	TRANSISTOR		
	C 979	QEMV1CM-827	E CAPACITOR	820MF 20% 16V			Q 964	2SB1565/EF/	TRANSISTOR		
	C 981	QCZ0205-155Z	ML C CAPACITOR	1.5MF			Q 965	2SC2785/FE/-T	TRANSISTOR		
	C 982	QEMV1EM-567	E CAPACITOR	560MF 20% 25V			Q 966	2SA1175/FE/-T	TRANSISTOR		
	C 984	QETN1EM-227Z	E CAPACITOR	220MF 20% 25V			Q 991	2SC2785/FE/-T	TRANSISTOR		
	C 987	QEMX1EM-187Z	E CAPA I/M	180MF 20% 25V			R 801	QRE141J-222Y	C RESISTOR	2.2K 5% 1/4W	
	C 989	QETN1EM-107Z	E CAPACITOR	100MF 20% 25V			R 802	QRE141J-222Y	C RESISTOR	2.2K 5% 1/4W	
	C 992	QETN1HM-474Z	E CAPACITOR	.47MF 20% 50V			R 803	QRE141J-222Y	C RESISTOR	2.2K 5% 1/4W	
	C 993	QCBB1HK-101Y	C CAPACITOR	100PF 10% 50V			R 804	QRE141J-222Y	C RESISTOR	2.2K 5% 1/4W	
	C 994	QDVB1EZ-223Y	C CAPACITOR				R 805	QRE141J-222Y	C RESISTOR	2.2K 5% 1/4W	
	C 995	QETN1CM-227Z	E CAPACITOR	220MF 20% 16V			R 806	QRE141J-102Y	C RESISTOR	1.0K 5% 1/4W	
	C 996	QETN1CM-226Z	E CAPACITOR	22MF 20% 16V			R 807	QRE141J-102Y	C RESISTOR	1.0K 5% 1/4W	
	C 997	QETN1CM-227Z	E CAPACITOR	220MF 20% 16V			R 808	QRE141J-102Y	C RESISTOR	1.0K 5% 1/4W	
	CN801	VMC0163-R08	CONNECTOR	TO CN703(SYS)			R 809	QRE141J-102Y	C RESISTOR	1.0K 5% 1/4W	
	CN832	QGB1216K1-06S	CONNECTOR	TO CN971(POW)			R 813	QRE141J-102Y	C RESISTOR	1.0K 5% 1/4W	
	CN951	QGB2011L1-08	B TO B CONNECTO	TO CN705(SYS)			R 814	QRE141J-222Y	C RESISTOR	2.2K 5% 1/4W	
	CN961	QGB2011L1-08	B TO B CONNECTO	TO CN704(SYS)			R 821	QRE141J-102Y	C RESISTOR	1.0K 5% 1/4W	
	CN971	QGB1216J1-06S	CONNECTOR	TO CN832(FL)			R 845	QRE141J-431Y	C RESISTOR	430 5% 1/4W	
△	CP951	ICP-N10-T	ICP				R 846	QRE141J-681Y	C RESISTOR	680 5% 1/4W	
	CP952	ICP-N5-T	ICP				R 847	QRE141J-112Y	C RESISTOR	1.1K 5% 1/4W	
	D 801	SLR-342VC-T	LED	STANDBY			R 848	QRE141J-222Y	C RESISTOR	2.2K 5% 1/4W	
△	D 901	S1WB/A60-4101	BRIDGE DIODE				R 900	QRE141J-221Y	C RESISTOR	220 5% 1/4W	
	D 902	ERA18-04-T1	FR DIODE				R 901	QRL01DJ-683X	OMF RESISTOR	68K 5% 1/1W	
	D 903	ERA18-04-T1	FR DIODE				R 903	QRE141J-270Y	C RESISTOR	27 5% 1/4W	
	D 904	ERA18-04-T1	FR DIODE				R 904	QRE141J-222Y	C RESISTOR	2.2K 5% 1/4W	

## ■ Electrical parts list (Power board)

Block No. 01

△	Item	Parts number	Parts name	Remarks	Area
	R 905	QRL027J-683	OMF RESISTOR	68K 5% 1/2W	
	R 906	QRE141J-681Y	C RESISTOR	680 5% 1/4W	
	R 907	QRT022J-R47	OMF RESISTOR	5% 1/2W	
	R 908	QRE141J-332Y	C RESISTOR	3.3K 5% 1/4W	
	R 910	QRE141J-754Y	C RESISTOR	750K 5% 1/4W	
	R 911	QRE141J-754Y	C RESISTOR	750K 5% 1/4W	
	R 952	QRE141J-103Y	C RESISTOR	10K 5% 1/4W	
	R 953	QRE141J-103Y	C RESISTOR	10K 5% 1/4W	
△	R 954	QRZ9006-4R7X	F RESISTOR	4.7 1/0W	
	R 955	QRE141J-223Y	C RESISTOR	22K 5% 1/4W	
	R 956	QRE141J-100Y	C RESISTOR	10 5% 1/4W	
	R 960	QRE141J-101Y	C RESISTOR	100 5% 1/4W	
	R 961	QRE141J-681Y	C RESISTOR	680 5% 1/4W	
	R 964	QRE141J-105Y	C RESISTOR	1.0M 5% 1/4W	
	R 965	QRE141J-103Y	C RESISTOR	10K 5% 1/4W	
	R 969	QRE141J-221Y	C RESISTOR	220 5% 1/4W	
	R 971	QRE141J-472Y	C RESISTOR	4.7K 5% 1/4W	
	R 972	QRE141J-122Y	C RESISTOR	1.2K 5% 1/4W	
	R 973	QRE141J-102Y	C RESISTOR	1.0K 5% 1/4W	
	R 974	QRE141J-562Y	C RESISTOR	5.6K 5% 1/4W	
	R 975	QRE141J-562Y	C RESISTOR	5.6K 5% 1/4W	
	R 976	QRE141J-221Y	C RESISTOR	220 5% 1/4W	
	R 980	QRE141J-272Y	C RESISTOR	2.7K 5% 1/4W	
	S 801	QSW0683-001Z	PUSH SW I.M	POWER	
	S 811	QSW0683-001Z	PUSH SW I.M	3D-PHONIC	
	S 821	QSW0683-001Z	PUSH SW I.M	OPEN/CLOSE	
	S 831	QSW0683-001Z	PUSH SW I.M	STOP	
	S 832	QSW0683-001Z	PUSH SW I.M	PAUSE	
	S 833	QSW0683-001Z	PUSH SW I.M	PLAY	
	S 834	QSW0683-001Z	PUSH SW I.M	F.SKIP	
	S 835	QSW0683-001Z	PUSH SW I.M	B.SKIP	
	S 841	QVQ0123-B15	SHUTTLE VR	SHUTTLE	
	SP802	VYH7653-002	IC HOLDER	FOR IC802	
△	T 901	QQS0028-001	SW TRANSF		

■ Electrical parts list (Main board)

Block No. 02

▲	Item	Parts number	Parts name	Remarks	Area	▲	Item	Parts number	Parts name	Remarks	Area
C 621	QCB1HK-121Y	C CAPACITOR	120PF 10% 50V			C 753	QFN32AJ-152Z	M.CAPA I/M	1500PF 5% 100V		
C 623	QCS11HJ-470	C CAPACITOR	47PF 5% 50V			C 754	QFN32AJ-182Z	M.CAPA I/M	1800PF 5% 100V		
C 624	QCS11HJ-100	C CAPACITOR	10PF 5% 50V			C 755	QFN32AJ-103Z	M.CAPA.I/M	.010MF 5% 100V		
C 629	QETN0JM-477Z	E CAPACITOR	470MF 20% 6.3V			C 756	QETN1EM-476Z	E CAPACITOR	47MF 20% 25V		
C 631	QCB1HK-121Y	C CAPACITOR	120PF 10% 50V			C 757	QFN32AJ-152Z	M.CAPA I/M	1500PF 5% 100V		
C 633	QCS11HJ-470	C CAPACITOR	47PF 5% 50V			C 761	QETN1CM-107Z	E CAPACITOR	100MF 20% 16V		
C 634	QCS11HJ-100	C CAPACITOR	10PF 5% 50V			C 762	QETN1CM-107Z	E CAPACITOR	100MF 20% 16V		
C 639	QCFB1HZ-104Y	C CAPACITOR	.10MF +80:-20%			C 771	QETN1CM-107Z	E CAPACITOR	100MF 20% 16V		
C 641	QCB1HK-121Y	C CAPACITOR	120PF 10% 50V			C 772	QETN1CM-107Z	E CAPACITOR	100MF 20% 16V		
C 643	QCS11HJ-470	C CAPACITOR	47PF 5% 50V			C 773	QETN1EM-476Z	E CAPACITOR	47MF 20% 25V		
C 644	QCS11HJ-100	C CAPACITOR	10PF 5% 50V			C 778	QETN1EM-476Z	E CAPACITOR	47MF 20% 25V		
C 649	QETN0JM-477Z	E CAPACITOR	470MF 20% 6.3V			C 797	QDYB1CM-103Y	C.CAPACITOR			
C 663	QCB1HK-151Y	C CAPACITOR	150PF 10% 50V			C 798	QDYB1CM-103Y	C.CAPACITOR			
C 685	QCB1HK-471Y	C CAPACITOR	470PF 10% 50V			CN601	QGB2027M3-10S	CONNECTOR	TO CN503		
C 686	QCB1HK-471Y	C CAPACITOR	470PF 10% 50V			CN701	QGB2027M4-22S	CONNECTOR	TO CN502(MDUL)		
C 694	QETN0JM-477Z	E CAPACITOR	470MF 20% 6.3V			CN702	QJK021-050800	SIN CR C-B WIRE	TO		
C 695	QCFB1HZ-104Y	C CAPACITOR	.10MF +80:-20%			CN703	QGF1205C1-08	CONNECTOR	TO CN801(FL)		
C 699	QCB1HK-221Y	C CAPACITOR	220PF 10% 50V			CN704	EMV5159-1008	B TO B CONNECTO	TO CN961(POWER)		
C 701	QETN1HM-105Z	E CAPACITOR	1.0MF 20% 50V			CN705	EMV5159-1008	B TO B CONNECTO	TO CN951(POWER)		
C 702	QCFB1HZ-104Y	C CAPACITOR	.10MF +80:-20%			CN706	QGB2027M3-10S	CONNECTOR	TO CN501(MODUL)		
C 705	QCFB1HZ-104Y	C CAPACITOR	.10MF +80:-20%			D 629	1SS133-T2	SI DIODE			
C 706	QFVC1HJ-104Z	M.M.CAPACITOR	.10MF 5% 50V			D 639	1SS133-T2	SI DIODE			
C 707	QETN0JM-107Z	E CAPACITOR	100MF 20% 6.3V			D 649	1SS133-T2	SI DIODE			
C 709	QCB1HK-331Y	C CAPACITOR	330PF 10% 50V			D 701	1SS133-T2	SI DIODE			
C 710	QETN1AM-477Z	E CAPACITOR	470MF 20% 10V			D 709	1SS133-T2	SI DIODE			
C 711	QCZ0205-155Z	ML C CAPACITOR	1.5MF			D 731	KV1555N-T	VARI CAPACITOR			
C 712	QETN0JM-477Z	E CAPACITOR	470MF 20% 6.3V			D 732	KV1555N-T	VARI CAPACITOR			
C 713	QETN1CM-107Z	E CAPACITOR	100MF 20% 16V			D 733	MTZJ5.1C-T2	ZENER DIODE			
C 714	QETN0JM-477Z	E CAPACITOR	470MF 20% 6.3V			D 734	AU02-T1	FR DIODE I/M			
C 715	QCZ0205-155Z	ML C CAPACITOR	1.5MF			D 735	AU02-T1	FR DIODE I/M			
C 716	QETN0JM-477Z	E CAPACITOR	470MF 20% 6.3V			D 791	1SS133-T2	SI DIODE			
C 717	QCZ0205-155Z	ML C CAPACITOR	1.5MF			D 792	1SS133-T2	SI DIODE			
C 718	QETN0JM-477Z	E CAPACITOR	470MF 20% 6.3V			D 793	MTZJ3.3B-T2	ZENER DIODE IM			
C 720	QCFB1HZ-104Y	C CAPACITOR	.10MF +80:-20%			FW701	QUM124-10Z4Z4	PARA RIBON WIRE	FW701 TO FW702		
C 721	QCZ0205-155Z	ML C CAPACITOR	1.5MF			IC701	MN101C12GHA	IC	#300 MADE		
C 722	QCFB1HZ-104Y	C CAPACITOR	.10MF +80:-20%			IC702	IC-PST9140-T	IC			
C 723	QCF11HZ-473	C CAPACITOR	.047MF +80:-20%			IC703	MN35503-X	IC			
C 724	QCF11HZ-103	C CAPACITOR	.010MF +80:-20%			IC711	PQ05RD21	IC			
C 725	QETN1CM-477Z	E CAPACITOR	470MF 20% 16V			IC712	BA6208A	IC			
C 726	QETN1CM-227Z	E CAPACITOR	220MF 20% 16V			IC741	NJM4580D	IC			
C 727	QETN1AM-227Z	E CAPACITOR	220MF 20% 10V			IC751	NJM4580D	IC			
C 728	QETN1AM-107Z	E CAPACITOR	100MF 20% 10V			IC791	AK93C45AF-W	IC			
C 729	QCB1HK-271Y	C CAPACITOR	270PF 10% 50V			IC792	TC74HC08AP	IC			
C 730	QFVC1HJ-474Z	M.M.CAPA. I/M	.47MF 5% 50V			J 602	QNN0361-001	PIN JACK			
C 731	QDYB1CM-103Y	C.CAPACITOR				J 603	QND0086-001	S JACK			
C 732	QDGB1HK-102Y	C CAPACITOR				J 691	QNZ0099-001	RGB CONNECTOR			
C 733	QDGB1HK-102Y	C CAPACITOR				J 702	QNS0083-001	3.5 JACK	AVCOMPULINK		
C 734	QDX31EM-473Z	C.CAPACITOR				J 703	GP1F32T	OPTICAL JACK	OPTDIGITALOUT		
C 735	QCFB1HZ-104Y	C CAPACITOR	.10MF +80:-20%			K 603	QQR0601-001Z	FERRITE BEADS			
C 736	QCFB1HZ-104Y	C CAPACITOR	.10MF +80:-20%			K 604	QQR0601-001Z	FERRITE BEADS			
C 737	QETN1EM-476Z	E CAPACITOR	47MF 20% 25V			K 605	QQR0601-001Z	FERRITE BEADS			
C 738	QETN1EM-476Z	E CAPACITOR	47MF 20% 25V			K 705	QQR0601-001Z	FERRITE BEADS			
C 740	QFN32AJ-152Z	M.CAPA I/M	1500PF 5% 100V			K 706	QQR0601-001Z	FERRITE BEADS			
C 741	QCB1HK-181Y	C CAPACITOR	180PF 10% 50V			K 710	QQR0601-001Z	FERRITE BEADS			
C 742	QFN32AJ-333Z	M.CAPA I/M	.033MF 5% 100V			K 712	QQR0601-001Z	FERRITE BEADS			
C 743	QFN32AJ-152Z	M.CAPA I/M	1500PF 5% 100V			K 714	QQR0601-001Z	FERRITE BEADS			
C 744	QFN32AJ-182Z	M.CAPA I/M	1800PF 5% 100V			K 715	QQR0601-001Z	FERRITE BEADS			
C 745	QFN32AJ-103Z	M.CAPA.I/M	.010MF 5% 100V			K 716	QQR0601-001Z	FERRITE BEADS			
C 746	QETN1EM-476Z	E CAPACITOR	47MF 20% 25V			K 717	QQR0601-001Z	FERRITE BEADS			
C 747	QFN32AJ-152Z	M.CAPA I/M	1500PF 5% 100V			K 718	QQR0601-001Z	FERRITE BEADS			
C 750	QFN32AJ-152Z	M.CAPA I/M	1500PF 5% 100V			L 621	QQL071J-120Y	INDUCTOR			
C 751	QCB1HK-181Y	C CAPACITOR	180PF 10% 50V			L 622	QQL071J-5R6Y	INDUCTOR			
C 752	QFN32AJ-333Z	M.CAPA I/M	.033MF 5% 100V			L 631	QQL071J-120Y	INDUCTOR			

## ■ Electrical parts list (Main board)

Block No. 02

▲	Item	Parts number	Parts name	Remarks	Area	▲	Item	Parts number	Parts name	Remarks	Area
	L 632	QQL071J-5R6Y	INDUCTOR				R 724	QRE141J-471Y	C RESISTOR	470 5% 1/4W	
	L 641	QQL071J-120Y	INDUCTOR				R 725	QRE141J-511Y	C RESISTOR	510 5% 1/4W	
	L 642	QQL071J-5R6Y	INDUCTOR				R 726	QRE141J-471Y	C RESISTOR	470 5% 1/4W	
	L 731	QQL071J-1R2Y	INDUCTOR				R 727	QRE141J-102Y	C RESISTOR	1.0K 5% 1/4W	
	Q 621	2SA1175/FE/-T	TRANSISTOR				R 728	QRE141J-471Y	C RESISTOR	470 5% 1/4W	
	Q 631	2SA1175/FE/-T	TRANSISTOR				R 729	QRE141J-471Y	C RESISTOR	470 5% 1/4W	
	Q 641	2SA1175/FE/-T	TRANSISTOR				R 730	QRE141J-333Y	C RESISTOR	33K 5% 1/4W	
	Q 691	KRC107M-T	D.TR.I.M				R 731	QRE141J-102Y	C RESISTOR	1.0K 5% 1/4W	
	Q 692	KRC107M-T	D.TR.I.M				R 732	QRE141J-333Y	C RESISTOR	33K 5% 1/4W	
	Q 709	KRC107M-T	D.TR.I.M				R 733	QRE141J-104Y	C RESISTOR	100K 5% 1/4W	
	Q 711	KRA102M-T	D.TRANSISTOR				R 734	QRE141J-333Y	C RESISTOR	33K 5% 1/4W	
	Q 741	2SC3576-JVC-T	TRANSISTOR I/M	FREQ			R 735	QRE141J-104Y	C RESISTOR	100K 5% 1/4W	
	Q 743	2SC3576-JVC-T	TRANSISTOR I/M	AMUTE1			R 736	QRE141J-181Y	C RESISTOR	180 5% 1/4W	
	Q 744	2SC3576-JVC-T	TRANSISTOR I/M	AMUTE2			R 737	QRE141J-104Y	C RESISTOR	100K 5% 1/4W	
	Q 751	2SC3576-JVC-T	TRANSISTOR I/M	FREQ			R 738	QRE141J-153Y	C RESISTOR	15K 5% 1/4W	
	Q 753	2SC3576-JVC-T	TRANSISTOR I/M	AMUTE1			R 739	QRE141J-102Y	C RESISTOR	1.0K 5% 1/4W	
	Q 754	2SC3576-JVC-T	TRANSISTOR I/M	AMUTE2			R 740	QRE141J-243Y	C RESISTOR	24K 5% 1/4W	
	Q 791	KRA102M-T	D.TRANSISTOR				R 741	QRE141J-243Y	C RESISTOR	24K 5% 1/4W	
	R 621	QRE141J-751Y	C RESISTOR	750 5% 1/4W			R 742	QRE141J-163Y	C RESISTOR	16K 5% 1/4W	
	R 622	QRE141J-751Y	C RESISTOR	750 5% 1/4W			R 743	QRE141J-163Y	C RESISTOR	16K 5% 1/4W	
	R 623	QRE141J-751Y	C RESISTOR	750 5% 1/4W			R 744	QRE141J-682Y	C RESISTOR	6.8K 5% 1/4W	
	R 624	QRE141J-751Y	C RESISTOR	750 5% 1/4W			R 745	QRE141J-183Y	C RESISTOR	18K 5% 1/4W	
	R 625	QRE141J-221Y	C RESISTOR	220 5% 1/4W			R 746	QRE141J-821Y	C RESISTOR	820 5% 1/4W	
	R 626	QRE141J-561Y	C RESISTOR	560 5% 1/4W			R 747	QRE141J-362Y	C RESISTOR	3.6K 5% 1/4W	
	R 629	QRE141J-680Y	C RESISTOR	68 5% 1/4W			R 748	QRE141J-561Y	C RESISTOR	560 5% 1/4W	
	R 632	QRE141J-361Y	C RESISTOR	360 5% 1/4W			R 749	QRE141J-103Y	C RESISTOR	10K 5% 1/4W	
	R 634	QRE141J-361Y	C RESISTOR	360 5% 1/4W			R 750	QRE141J-243Y	C RESISTOR	24K 5% 1/4W	
	R 635	QRE141J-221Y	C RESISTOR	220 5% 1/4W			R 751	QRE141J-243Y	C RESISTOR	24K 5% 1/4W	
	R 636	QRE141J-102Y	C RESISTOR	1.0K 5% 1/4W			R 752	QRE141J-163Y	C RESISTOR	16K 5% 1/4W	
	R 639	QRE141J-680Y	C RESISTOR	68 5% 1/4W			R 753	QRE141J-163Y	C RESISTOR	16K 5% 1/4W	
	R 641	QRE141J-751Y	C RESISTOR	750 5% 1/4W			R 754	QRE141J-682Y	C RESISTOR	6.8K 5% 1/4W	
	R 642	QRE141J-751Y	C RESISTOR	750 5% 1/4W			R 755	QRE141J-183Y	C RESISTOR	18K 5% 1/4W	
	R 643	QRE141J-751Y	C RESISTOR	750 5% 1/4W			R 756	QRE141J-821Y	C RESISTOR	820 5% 1/4W	
	R 644	QRE141J-751Y	C RESISTOR	750 5% 1/4W			R 757	QRE141J-362Y	C RESISTOR	3.6K 5% 1/4W	
	R 645	QRE141J-221Y	C RESISTOR	220 5% 1/4W			R 758	QRE141J-561Y	C RESISTOR	560 5% 1/4W	
	R 646	QRE141J-561Y	C RESISTOR	560 5% 1/4W			R 759	QRE141J-103Y	C RESISTOR	10K 5% 1/4W	
	R 649	QRE141J-680Y	C RESISTOR	68 5% 1/4W			R 760	QRE141J-105Y	C RESISTOR	1.0M 5% 1/4W	
	R 685	QRE141J-151Y	C RESISTOR	150 5% 1/4W			R 761	QRE141J-561Y	C RESISTOR	560 5% 1/4W	
	R 686	QRE141J-151Y	C RESISTOR	150 5% 1/4W			R 762	QRE141J-821Y	C RESISTOR	820 5% 1/4W	
	R 687	QRE141J-270Y	C RESISTOR	27 5% 1/4W			R 764	QRE141J-183Y	C RESISTOR	18K 5% 1/4W	
	R 694	QRE141J-680Y	C RESISTOR	68 5% 1/4W			R 765	QRE141J-561Y	C RESISTOR	560 5% 1/4W	
	R 695	QRE141J-680Y	C RESISTOR	68 5% 1/4W			R 766	QRE141J-273Y	C RESISTOR	27K 5% 1/4W	
	R 696	QRE141J-102Y	C RESISTOR	1.0K 5% 1/4W			R 767	QRE141J-151Y	C RESISTOR	150 5% 1/4W	
	R 697	QRE141J-821Y	C RESISTOR	820 5% 1/4W			R 768	QRE141J-103Y	C RESISTOR	10K 5% 1/4W	
	R 698	QRE141J-123Y	C RESISTOR	12K 5% 1/4W			R 769	QRE141J-103Y	C RESISTOR	10K 5% 1/4W	
	R 701	QRE141J-102Y	C RESISTOR	1.0K 5% 1/4W			R 770	QRE141J-105Y	C RESISTOR	1.0M 5% 1/4W	
	R 702	QRE141J-472Y	C RESISTOR	4.7K 5% 1/4W			R 771	QRE141J-561Y	C RESISTOR	560 5% 1/4W	
	R 703	QRE141J-105Y	C RESISTOR	1.0M 5% 1/4W			R 772	QRE141J-821Y	C RESISTOR	820 5% 1/4W	
	R 704	QRE141J-102Y	C RESISTOR	1.0K 5% 1/4W			R 774	QRE141J-183Y	C RESISTOR	18K 5% 1/4W	
	R 705	QRE141J-2R2Y	C RESISTOR	2.2 5% 1/4W			R 775	QRE141J-561Y	C RESISTOR	560 5% 1/4W	
	R 707	QRE141J-101Y	C RESISTOR	100 5% 1/4W			R 776	QRE141J-273Y	C RESISTOR	27K 5% 1/4W	
	R 708	QRE141J-101Y	C RESISTOR	100 5% 1/4W			R 777	QRE141J-151Y	C RESISTOR	150 5% 1/4W	
	R 709	QRE141J-103Y	C RESISTOR	10K 5% 1/4W			R 778	QRE141J-103Y	C RESISTOR	10K 5% 1/4W	
	R 711	QRE141J-560Y	C RESISTOR	56 5% 1/4W			R 779	QRE141J-103Y	C RESISTOR	10K 5% 1/4W	
	R 712	QRE141J-560Y	C RESISTOR	56 5% 1/4W			R 780	QRE141J-112Y	C RESISTOR	1.1K 5% 1/4W	
	R 713	QRE141J-560Y	C RESISTOR	56 5% 1/4W			R 781	QRE141J-112Y	C RESISTOR	1.1K 5% 1/4W	
	R 714	QRE141J-152Y	C RESISTOR	1.5K 5% 1/4W			R 782	QRE141J-221Y	C RESISTOR	220 5% 1/4W	
	R 715	QRE141J-560Y	C RESISTOR	56 5% 1/4W			▲ R 783	QRE141J-221Y	C RESISTOR	220 5% 1/4W	
	R 716	QRE141J-152Y	C RESISTOR	1.5K 5% 1/4W			R 786	QRE141J-333Y	C RESISTOR	33K 5% 1/4W	
	R 717	QRE141J-101Y	C RESISTOR	100 5% 1/4W			R 790	QRE141J-112Y	C RESISTOR	1.1K 5% 1/4W	
	R 721	QRE141J-471Y	C RESISTOR	470 5% 1/4W			R 791	QRE141J-112Y	C RESISTOR	1.1K 5% 1/4W	
	R 722	QRE141J-471Y	C RESISTOR	470 5% 1/4W			R 792	QRE141J-221Y	C RESISTOR	220 5% 1/4W	
	R 723	QRE141J-471Y	C RESISTOR	470 5% 1/4W			R 793	QRE141J-221Y	C RESISTOR	220 5% 1/4W	

## ■ Electrical parts list (Main board)

Block No. 02

△	Item	Parts number	Parts name	Remarks	Area
	R 795	QRE141J-472Y	C RESISTOR	4.7K 5% 1/4W	
	R 796	QRE141J-472Y	C RESISTOR	4.7K 5% 1/4W	
	R 797	QRE141J-473Y	C RESISTOR	47K 5% 1/4W	
	R 798	QRE141J-473Y	C RESISTOR	47K 5% 1/4W	
	R1701	QRE141J-222Y	C RESISTOR	2.2K 5% 1/4W	
	R1702	QRE141J-222Y	C RESISTOR	2.2K 5% 1/4W	
	R1703	QRE141J-222Y	C RESISTOR	2.2K 5% 1/4W	
	R1704	QRE141J-103Y	C RESISTOR	10K 5% 1/4W	
	R1706	QRE141J-222Y	C RESISTOR	2.2K 5% 1/4W	
	R1707	QRE141J-222Y	C RESISTOR	2.2K 5% 1/4W	
	R1708	QRE141J-222Y	C RESISTOR	2.2K 5% 1/4W	
	R1709	QRE141J-102Y	C RESISTOR	1.0K 5% 1/4W	
	R1710	QRE141J-102Y	C RESISTOR	1.0K 5% 1/4W	
	R1711	QRE141J-102Y	C RESISTOR	1.0K 5% 1/4W	
	R1712	QRE141J-331Y	C RESISTOR	330 5% 1/4W	
	R1713	QRE141J-101Y	C RESISTOR	100 5% 1/4W	
	R1714	QRE141J-472Y	C RESISTOR	4.7K 5% 1/4W	
	R1716	QRE141J-102Y	C RESISTOR	1.0K 5% 1/4W	
	R1717	QRE141J-102Y	C RESISTOR	1.0K 5% 1/4W	
	R1720	QRE141J-750Y	C RESISTOR	75 5% 1/4W	
	R1723	QRE141J-221Y	C RESISTOR	220 5% 1/4W	
	R1724	QRE141J-331Y	C RESISTOR	330 5% 1/4W	
	R1726	QRE141J-222Y	C RESISTOR	2.2K 5% 1/4W	
	R1727	QRE141J-102Y	C RESISTOR	1.0K 5% 1/4W	
	R1728	QRE141J-102Y	C RESISTOR	1.0K 5% 1/4W	
	R1730	QRE141J-102Y	C RESISTOR	1.0K 5% 1/4W	
	R1731	QRE141J-102Y	C RESISTOR	1.0K 5% 1/4W	
	R1732	QRE141J-102Y	C RESISTOR	1.0K 5% 1/4W	
	S 691	QSW0454-001	SW		
	SP701	VYH7653-001	IC HOLDER	FOR IC701	
	SP703	VYH7653-003SC	IC HOLDER	FOR IC703	
	T 601	QQR0880-001	PULSE TRANS		
	X 701	QAX0356-001Z	RESONATOR		

## ■ Electrical parts list (DVD servo board)

Block No. 03

△	Item	Parts number	Parts name	Remarks	Area	△	Item	Parts number	Parts name	Remarks	Area
	C 1	NCB31CK-104X	C CAPACITOR				C 228	NCB31HK-102X	C CAPACITOR		
	C 2	NEA70JM-226X	E CAPACITOR				C 237	NCB31CK-104X	C CAPACITOR		
	C 3	NEA70JM-226X	E CAPACITOR				C 238	NCB31CK-104X	C CAPACITOR		
	C 4	NCB31CK-104X	C CAPACITOR				C 239	NCB31CK-183X	C CAPACITOR		
	C 5	NEX40JM-156X	E.CAPACITOR				C 240	NCS31HJ-470X	C CAPACITOR		
	C 6	NCB31CK-104X	C CAPACITOR				C 241	NCB31CK-103X	C CAPACITOR		
	C 11	NEA70JM-107X	E.CAPACITOR				C 242	NCB11CK-105X	C CAPACITOR		
	C 12	NCB31CK-104X	C CAPACITOR				C 244	NCB31CK-104X	C CAPACITOR		
	C 15	NCB31CK-104X	C CAPACITOR				C 245	NCB31CK-103X	C CAPACITOR		
	C 16	NBE20JM-106X	TS E CAP SVB20J				C 246	NCB31CK-104X	C CAPACITOR		
	C 17	NCB31CK-104X	C CAPACITOR				C 247	NCB31CK-104X	C CAPACITOR		
	C 101	NCB31HK-561X	C CAPACITOR				C 248	NCB21CK-154X	C.CAPA. C.M		
	C 102	NCB31CK-104X	C CAPACITOR				C 249	NCB31CK-104X	C CAPACITOR		
	C 103	NCB31CK-104X	C CAPACITOR				C 250	NCB31CK-104X	C CAPACITOR		
	C 104	NCB31CK-104X	C CAPACITOR				C 251	NCB31CK-104X	C CAPACITOR		
	C 105	NCB31CK-104X	C CAPACITOR				C 252	NCB31CK-104X	C CAPACITOR		
	C 109	NEA70JM-476X	E.CAPACITOR				C 253	NCB31CK-104X	C CAPACITOR		
	C 112	NEA70JM-476X	E.CAPACITOR				C 254	NEA70GM-336X	E CAPACITOR		
	C 118	NCB21CK-154X	C.CAPA. C.M				C 255	NCB31CK-104X	C CAPACITOR		
	C 119	NCS31HJ-221X	C CAPACITOR				C 256	NEA70GM-107X	E CAPACITOR		
	C 120	NCS31HJ-820X	C CAPACITOR				C 257	NCB11CK-105X	C CAPACITOR		
	C 121	NCS31HJ-220X	C CAPACITOR				C 258	NEA70GM-107X	E CAPACITOR		
	C 122	NCB31HK-271X	C CAPACITOR				C 259	NCB11CK-105X	C CAPACITOR		
	C 123	NCB31CK-104X	C CAPACITOR				C 260	NCB31HK-561X	C CAPACITOR		
	C 124	NCB31CK-104X	C CAPACITOR				C 261	NCB31CK-104X	C CAPACITOR		
	C 125	NCB31CK-104X	C CAPACITOR				C 262	NCB31CK-104X	C CAPACITOR		
	C 126	NEX40JM-566X	E CAPACITOR				C 263	NCB31CK-104X	C CAPACITOR		
	C 127	NCB31HK-102X	C CAPACITOR				C 264	NCB21CK-474X	C CAPACITOR		
	C 128	NCB31CK-104X	C CAPACITOR				C 271	NCB31EK-332X	C CAPACITOR		
	C 130	NCB31CK-104X	C CAPACITOR				C 272	NCB31HK-331X	C CAPACITOR		
	C 131	NCS31HJ-120X	C CAPACITOR				C 276	NCB31CK-104X	C CAPACITOR		
	C 132	NCB31CK-104X	C CAPACITOR				C 277	NCB31CK-104X	C CAPACITOR		
	C 133	NCB31HK-561X	C CAPACITOR				C 278	NCB31HK-102X	C CAPACITOR		
	C 134	NCB31HK-561X	C CAPACITOR				C 279	NCB31HK-272X	C CAPACITOR		
	C 135	NCB31CK-273X	C CAPACITOR				C 281	NCB31CK-103X	C CAPACITOR		
	C 136	NCB31CK-473X	C CAPACITOR				C 283	NCB31CK-223X	C CAPACITOR		
	C 138	NCB31CK-104X	C CAPACITOR				C 284	NCB31CK-473X	C CAPACITOR		
	C 139	NCB31CK-104X	C CAPACITOR				C 288	NCB31CK-223X	C CAPACITOR		
	C 140	NEA70JM-226X	E CAPACITOR				C 289	NCB31CK-104X	C CAPACITOR		
	C 141	NCB31CK-104X	C CAPACITOR				C 291	NCB31CK-104X	C CAPACITOR		
	C 143	NCB31CK-104X	C CAPACITOR				C 292	NEA70JM-226X	E CAPACITOR		
	C 144	NCB31CK-104X	C CAPACITOR				C 293	NEA71CM-226X	E.CAPAP. C.M		
	C 145	NCB31CK-103X	C CAPACITOR				C 301	NCB31CK-104X	C CAPACITOR		
	C 151	NEX40JM-156X	E.CAPACITOR				C 302	NCB31CK-104X	C CAPACITOR		
	C 152	NEX40JM-156X	E.CAPACITOR				C 303	NCB31CK-104X	C CAPACITOR		
	C 153	NCB31CK-104X	C CAPACITOR				C 304	NCB31CK-104X	C CAPACITOR		
	C 159	NCB31CK-104X	C CAPACITOR				C 305	NCB31CK-104X	C CAPACITOR		
	C 160	NCB31CK-104X	C CAPACITOR				C 306	NCB31CK-104X	C CAPACITOR		
	C 161	NEA70GM-336X	E CAPACITOR				C 307	NCB31CK-104X	C CAPACITOR		
	C 202	NCB31HK-561X	C CAPACITOR				C 309	NCB31CK-104X	C CAPACITOR		
	C 203	NCB31HK-561X	C CAPACITOR				C 310	NCB31CK-104X	C CAPACITOR		
	C 204	NCB31HK-331X	C CAPACITOR				C 311	NCB31CK-104X	C CAPACITOR		
	C 205	NCS31HJ-121X	C CAPACITOR				C 312	NCS31HJ-180X	C CAPACITOR		
	C 206	NCS31HJ-271X	C CAPACITOR				C 313	NCS31HJ-180X	C CAPACITOR		
	C 207	NCB31HK-471X	C CAPACITOR				C 314	NCB31CK-104X	C CAPACITOR		
	C 208	NCB31CK-104X	C CAPACITOR				C 315	NCB31CK-104X	C CAPACITOR		
	C 209	NCB31HK-102X	C CAPACITOR				C 316	NEA70GM-107X	E CAPACITOR		
	C 210	NCB31HK-102X	C CAPACITOR				C 317	NCB11CK-105X	C CAPACITOR		
	C 222	NCB31HK-562X	C CAPACITOR				C 318	NCB31CK-104X	C CAPACITOR		
	C 223	NCB31HK-102X	C CAPACITOR				C 319	NCB31CK-104X	C CAPACITOR		
	C 224	NCB31CK-104X	C CAPACITOR				C 320	NCB31CK-104X	C CAPACITOR		
	C 225	NBE91CM-105X	E CAPACITOR				C 321	NCB31CK-104X	C CAPACITOR		
	C 227	NCB31HK-102X	C CAPACITOR				C 324	NCB31CK-104X	C CAPACITOR		

■ Electrical parts list (DVD servo board)

Block No. 03

▲	Item	Parts number	Parts name	Remarks	Area	▲	Item	Parts number	Parts name	Remarks	Area
	C 326	NCB31CK-104X	C CAPACITOR				C 561	NCB31CK-104X	C CAPACITOR		
	C 327	NEA70GM-107X	E CAPACITOR				C 562	NEA70JM-226X	E CAPACITOR		
	C 341	NCB31CK-104X	C CAPACITOR				C 563	NCB31CK-104X	C CAPACITOR		
	C 342	NCB31CK-104X	C CAPACITOR				C 564	NCB31CK-104X	C CAPACITOR		
	C 343	NCB31CK-104X	C CAPACITOR				C 565	NCB31CK-104X	C CAPACITOR		
	C 344	NCB31CK-104X	C CAPACITOR				C 566	NCB31CK-104X	C CAPACITOR		
	C 345	NEA70JM-107X	E.CAPACITOR				C 567	NEA70JM-226X	E CAPACITOR		
	C 346	NCB11CK-105X	C CAPACITOR				C 568	NCB31CK-104X	C CAPACITOR		
	C 373	NCB31CK-104X	C CAPACITOR				C 569	NEA70JM-226X	E CAPACITOR		
	C 401	NCB31CK-104X	C CAPACITOR				C 570	NCB31CK-104X	C CAPACITOR		
	C 402	NCB31CK-104X	C CAPACITOR				CN101	QGF0501F3-40X	FFC/FPC CONNE	PU	
	C 405	NCB31CK-104X	C CAPACITOR				CN501	QGB2027L1-10X	W TO B CONNE	POWER	
	C 406	NCB31CK-104X	C CAPACITOR				CN502	QGB2027L1-22X	CONNECTOR	SYSTEM	
	C 407	NCB31CK-104X	C CAPACITOR				CN503	QGB2027L1-10X	W TO B CONNE	VIDEO	
	C 408	NEA70JM-226X	E CAPACITOR				D 501	1SR154-400-X	DIODE		
	C 409	NCB31CK-104X	C CAPACITOR				D 551	1SS355-X	DIODE		
	C 411	NCB31CK-104X	C CAPACITOR				D 552	1SS355-X	DIODE		
	C 412	NCB31CK-104X	C CAPACITOR				IC 1	RN5RZ33BA-X	IC		
	C 501	NCB31CK-104X	C CAPACITOR				IC101	AN8702FH	IC		
	C 502	NCB31CK-104X	C CAPACITOR				IC102	RN5RZ33BA-X	IC		
	C 503	NCB31CK-104X	C CAPACITOR				IC201	MN67706ZY	IC		
	C 504	NCB31CK-104X	C CAPACITOR				IC202	TC7WT125FU-X	IC(DIGITAL)		
	C 505	NCB31CK-104X	C CAPACITOR				IC271	M56788FP-W	IC		
	C 506	NCB31CK-104X	C CAPACITOR				IC301	MN103S13BDA	IC		
	C 507	NCB31CK-104X	C CAPACITOR				IC311	TC7SH08FU-X	IC		
	C 508	NCB31CK-104X	C CAPACITOR				IC312	TC7SH32FU-X	IC		
	C 509	NCB31CK-104X	C CAPACITOR				IC321	TC7WH74FU-X	IC		
	C 510	NCB31CK-104X	C CAPACITOR				IC322	TC74VHC00FT-X	IC		
	C 511	NCB31CK-104X	C CAPACITOR				IC401	MN102L25GDZ3	IC C.M	OTP	
	C 512	NCB31CK-104X	C CAPACITOR				IC402	MSM531622F84G-X	IC(u-h)		
	C 513	NCB31CK-104X	C CAPACITOR				IC403	AK93C65AF-X	IC		
	C 514	NCB31CK-104X	C CAPACITOR				IC501	ZIVA3-PE0	IC		
	C 515	NCB31CK-104X	C CAPACITOR				IC502	NAX0393-001X	CXO C.M	27MHZ	
	C 516	NCB31CK-104X	C CAPACITOR				IC503	TC74VHC00FT-X	IC		
	C 517	NCB31CK-104X	C CAPACITOR				IC504	HY57V161610DTC8	IC	HYUNDAI	
	C 518	NCB31CK-104X	C CAPACITOR				IC505	HY57V161610DTC8	IC	HYUNDAI	
	C 519	NCB31CK-104X	C CAPACITOR				IC554	MC44724AVFU	IC		
	C 520	NCB31CK-104X	C CAPACITOR				K 102	NQR0007-002X	FERRITE BEADS		
	C 521	NCB31CK-104X	C CAPACITOR				K 103	NQR0007-002X	FERRITE BEADS		
	C 522	NCB31CK-104X	C CAPACITOR				K 201	NQR0007-002X	FERRITE BEADS		
	C 523	NCB31CK-104X	C CAPACITOR				K 202	NQR0007-002X	FERRITE BEADS		
	C 524	NCB31CK-104X	C CAPACITOR				K 203	NQR0007-002X	FERRITE BEADS		
	C 525	NCB31CK-104X	C CAPACITOR				K 301	NQR0007-002X	FERRITE BEADS		
	C 526	NCB31CK-104X	C CAPACITOR				K 302	NQR0007-002X	FERRITE BEADS		
	C 527	NCB31CK-104X	C CAPACITOR				K 303	NQR0007-002X	FERRITE BEADS		
	C 528	NCB31CK-104X	C CAPACITOR				K 401	NQR0007-002X	FERRITE BEADS		
	C 529	NCB31CK-104X	C CAPACITOR				K 402	NQR0007-002X	FERRITE BEADS		
	C 530	NEA70JM-107X	E.CAPACITOR				K 501	NQR0007-002X	FERRITE BEADS		
	C 531	NCB31CK-104X	C CAPACITOR				K 502	NQR0007-002X	FERRITE BEADS		
	C 532	NCB31CK-104X	C CAPACITOR				K 503	NQR0007-002X	FERRITE BEADS		
	C 533	NCB31CK-104X	C CAPACITOR				K 504	NQR0201-001X	FERRITE BEADS		
	C 534	NEA70JM-107X	E.CAPACITOR				K 505	NQR0269-001X	FERRITE BEADS		
	C 535	NCB31CK-104X	C CAPACITOR				K 506	NQR0007-002X	FERRITE BEADS		
	C 536	NCB31CK-103X	C CAPACITOR				K 507	NQR0007-002X	FERRITE BEADS		
	C 537	NEA70JM-226X	E CAPACITOR				K 550	NQR0007-002X	FERRITE BEADS		
	C 538	NCB31CK-104X	C CAPACITOR				K 551	NQR0007-002X	FERRITE BEADS		
	C 539	NCB31CK-104X	C CAPACITOR				K 553	NQR0007-002X	FERRITE BEADS		
	C 540	NEA70JM-226X	E CAPACITOR				K 554	NQR0007-002X	FERRITE BEADS		
	C 541	NCB31CK-104X	C CAPACITOR				K 555	NQR0007-002X	FERRITE BEADS		
	C 542	NEA70JM-226X	E CAPACITOR				K 556	NQR0007-002X	FERRITE BEADS		
	C 543	NCB31CK-104X	C CAPACITOR				K 557	NQR0007-002X	FERRITE BEADS		
	C 556	NEA70JM-107X	E.CAPACITOR				K 558	NQR0007-002X	FERRITE BEADS		
	C 557	NCB31CK-104X	C CAPACITOR				K 559	NQR0007-002X	FERRITE BEADS		



## ■ Electrical parts list (DVD servo board)

Block No. 03

△	Item	Parts number	Parts name	Remarks	Area	△	Item	Parts number	Parts name	Remarks	Area
	K 561	NQR0007-002X	FERRITE BEADS				R 205	NRSA63J-473X	MG RESISTOR		
	K 562	NQR0007-002X	FERRITE BEADS				R 208	NRSA63J-473X	MG RESISTOR		
	K 563	NQR0007-002X	FERRITE BEADS				R 209	NRSA63J-123X	MG RESISTOR		
	K 564	NQR0007-002X	FERRITE BEADS				R 210	NRSA63J-473X	MG RESISTOR		
	K 565	NQR0007-002X	FERRITE BEADS				R 211	NRSA63J-273X	MG RESISTOR		
	K 566	NQR0007-002X	FERRITE BEADS				R 212	NRSA63J-273X	MG RESISTOR		
	K 567	NQR0007-002X	FERRITE BEADS				R 213	NRSA63J-562X	MG RESISTOR		
	K 568	NQR0007-002X	FERRITE BEADS				R 214	NRSA63J-123X	MG RESISTOR		
	K 569	NQR0007-002X	FERRITE BEADS				R 215	NRSA63J-105X	MG RESISTOR		
	K 570	NQR0007-002X	FERRITE BEADS				R 218	NRSA63J-153X	MG RESISTOR		
	K 571	NQR0007-002X	FERRITE BEADS				R 219	NRSA63J-473X	MG RESISTOR		
	K 572	NQR0007-002X	FERRITE BEADS				R 220	NRSA63J-473X	MG RESISTOR		
	K 574	NQR0007-002X	FERRITE BEADS				R 223	NRSA63J-473X	MG RESISTOR		
	K 575	NQR0007-002X	FERRITE BEADS				R 224	NRSA63J-0R0X	MG RESISTOR		
	K 576	NQR0007-002X	FERRITE BEADS				R 225	NRSA63J-682X	MG RESISTOR		
	K 577	NQR0007-002X	FERRITE BEADS				R 227	NRSA63J-102X	MG RESISTOR		
	K 578	NQR0007-002X	FERRITE BEADS				R 228	NRSA63J-183X	MG RESISTOR		
	K 579	NQR0007-002X	FERRITE BEADS				R 229	NRSA63J-273X	MG RESISTOR		
	L 1	NQL044K-100X	INDUCTOR				R 230	NRSA63J-273X	MG RESISTOR		
	Q 1	2SD2150/RS/-W	POW TRANSISTOR				R 232	NRSA63J-472X	MG RESISTOR		
	Q 101	2SB1424/QR/-X	TRANSISTOR				R 233	NRSA63J-472X	MG RESISTOR		
	Q 102	2SB1424/QR/-X	TRANSISTOR				R 234	NRSA63J-472X	MG RESISTOR		
	Q 275	DTC144EE-X	TRANSISTOR				R 235	NRSA63J-0R0X	MG RESISTOR		
	R 1	NRSA63J-100X	MG RESISTOR				R 237	NRSA63J-221X	MG RESISTOR		
	R 103	NRS125J-270X	MG RESISTOR				R 238	NRSA63J-221X	MG RESISTOR		
	R 104	NRS125J-270X	MG RESISTOR				R 239	NRSA63J-221X	MG RESISTOR		
	R 107	NRSA63J-0R0X	MG RESISTOR				R 240	NRSA63J-221X	MG RESISTOR		
	R 108	NRSA63J-183X	MG RESISTOR				R 241	NRSA63J-221X	MG RESISTOR		
	R 109	NRSA63J-0R0X	MG RESISTOR				R 242	NRSA63J-102X	MG RESISTOR		
	R 110	NRSA63J-273X	MG RESISTOR				R 243	NRSA63J-102X	MG RESISTOR		
	R 111	NRSA63J-0R0X	MG RESISTOR				R 244	NRSA63J-102X	MG RESISTOR		
	R 112	NRSA63J-273X	MG RESISTOR				R 245	NRSA63J-102X	MG RESISTOR		
	R 113	NRSA63J-682X	MG RESISTOR				R 246	NRSA63J-102X	MG RESISTOR		
	R 114	NRSA63J-102X	MG RESISTOR				R 248	NRSA63J-473X	MG RESISTOR		
	R 115	NRVA63D-243X	MG RESISTOR				R 249	NRSA63J-473X	MG RESISTOR		
	R 116	NRSA63J-393X	MG RESISTOR				R 250	NRSA63J-473X	MG RESISTOR		
	R 117	NRSA63J-123X	MG RESISTOR				R 253	NRS125J-4R7X	MG RESISTOR		
	R 118	NRSA63J-223X	MG RESISTOR				R 255	NRSA63J-123X	MG RESISTOR		
	R 121	NRSA63J-0R0X	MG RESISTOR				R 256	NRSA63J-0R0X	MG RESISTOR		
	R 122	NRSA63J-0R0X	MG RESISTOR				R 257	NRSA63J-0R0X	MG RESISTOR		
	R 123	NRSA63J-0R0X	MG RESISTOR				R 271	NRSA63J-563X	MG RESISTOR		
	R 124	NRSA63J-0R0X	MG RESISTOR				R 272	NRSA63J-103X	MG RESISTOR		
	R 125	NRSA63J-0R0X	MG RESISTOR				R 273	NRS125J-1R0X	MG RESISTOR		
	R 126	NRSA63J-0R0X	MG RESISTOR				R 274	NRSA63J-0R0X	MG RESISTOR		
	R 127	NRSA63J-222X	MG RESISTOR				R 275	NRSA63J-103X	MG RESISTOR		
	R 128	NRSA63J-105X	MG RESISTOR				R 276	NRSA63J-103X	MG RESISTOR		
	R 129	NRSA63J-105X	MG RESISTOR				R 277	NRSA63J-103X	MG RESISTOR		
	R 131	NRSA63J-822X	MG RESISTOR				R 278	NRSA63J-103X	MG RESISTOR		
	R 132	NRSA63J-103X	MG RESISTOR				R 279	NRSA63J-103X	MG RESISTOR		
	R 144	NRSA63J-333X	MG RESISTOR				R 280	NRSA63J-103X	MG RESISTOR		
	R 145	NRSA63J-103X	MG RESISTOR				R 282	NRSA63J-103X	MG RESISTOR		
	R 152	NRS125J-1R0X	MG RESISTOR				R 283	NRSA63J-103X	MG RESISTOR		
	R 153	NRS125J-4R7X	MG RESISTOR				R 284	NRSA63J-472X	MG RESISTOR		
	R 155	NRSA63J-0R0X	MG RESISTOR				R 285	NRSA63J-103X	MG RESISTOR		
	R 156	NRSA63J-333X	MG RESISTOR				R 286	NRSA63J-103X	MG RESISTOR		
	R 160	NRSA63J-0R0X	MG RESISTOR				R 287	NRSA63J-103X	MG RESISTOR		
	R 161	NRSA63J-0R0X	MG RESISTOR				R 288	NRSA63J-103X	MG RESISTOR		
	R 162	NRSA63J-0R0X	MG RESISTOR				R 289	NRSA63J-103X	MG RESISTOR		
	R 163	NRSA63J-0R0X	MG RESISTOR				R 290	NRSA63J-103X	MG RESISTOR		
	R 166	NRSA63J-182X	MG RESISTOR				R 292	NRSA63J-223X	MG RESISTOR		
	R 202	NRSA63J-473X	MG RESISTOR				R 295	NRSA63J-103X	MG RESISTOR		
	R 203	NRSA63J-473X	MG RESISTOR				R 296	NRSA63J-103X	MG RESISTOR		
	R 204	NRSA63J-473X	MG RESISTOR				R 297	NRS125J-1R0X	MG RESISTOR		

■ Electrical parts list (DVD servo board)

Block No. 03

△	Item	Parts number	Parts name	Remarks	Area
	R 301	NRSA63J-473X	MG RESISTOR		
	R 302	NRSA63J-473X	MG RESISTOR		
	R 303	NRSA63J-473X	MG RESISTOR		
	R 304	NRSA63J-473X	MG RESISTOR		
	R 305	NRSA63J-473X	MG RESISTOR		
	R 306	NRSA63J-473X	MG RESISTOR		
	R 307	NRSA63J-473X	MG RESISTOR		
	R 308	NRSA63J-473X	MG RESISTOR		
	R 309	NRSA63J-103X	MG RESISTOR		
	R 310	NRSA63J-102X	MG RESISTOR		
	R 311	NRSA63J-102X	MG RESISTOR		
	R 312	NRSA63J-102X	MG RESISTOR		
	R 316	NRSA63J-105X	MG RESISTOR		
	R 317	NRSA63J-0R0X	MG RESISTOR		
	R 318	NRSA63J-0R0X	MG RESISTOR		
	R 322	NRSA63J-473X	MG RESISTOR		
	R 324	NRSA63J-473X	MG RESISTOR		
	R 328	NRSA63J-473X	MG RESISTOR		
	R 342	NRSA63J-0R0X	MG RESISTOR		
	R 343	NRSA63J-102X	MG RESISTOR		
	R 345	NRSA63J-562X	MG RESISTOR		
	R 346	NRSA63J-472X	MG RESISTOR		
	R 347	NRSA63J-102X	MG RESISTOR		
	R 348	NRSA63J-102X	MG RESISTOR		
	R 349	NRSA63J-102X	MG RESISTOR		
	R 350	NRSA63J-102X	MG RESISTOR		
	R 364	NRSA63J-0R0X	MG RESISTOR		
	R 403	NRSA63J-472X	MG RESISTOR		
	R 405	NRSA63J-472X	MG RESISTOR		
	R 408	NRSA63J-472X	MG RESISTOR		
	R 410	NRSA63J-0R0X	MG RESISTOR		
	R 411	NRSA63J-472X	MG RESISTOR		
	R 412	NRSA63J-103X	MG RESISTOR		
	R 413	NRSA63J-472X	MG RESISTOR		
	R 414	NRSA63J-472X	MG RESISTOR		
	R 415	NRSA63J-472X	MG RESISTOR		
	R 416	NRSA63J-472X	MG RESISTOR		
	R 417	NRSA63J-472X	MG RESISTOR		
	R 418	NRSA63J-472X	MG RESISTOR		
	R 423	NRSA63J-0R0X	MG RESISTOR		
	R 424	NRSA63J-0R0X	MG RESISTOR		
	R 431	NRSA63J-472X	MG RESISTOR		
	R 432	NRSA63J-472X	MG RESISTOR		
	R 501	NRSA63J-102X	MG RESISTOR		
	R 502	NRSA63J-222X	MG RESISTOR		
	R 504	NRSA63J-330X	MG RESISTOR		
	R 505	NRSA63J-330X	MG RESISTOR		
	R 506	NRSA63J-330X	MG RESISTOR		
	R 507	NRSA63J-330X	MG RESISTOR		
	R 508	NRSA63J-330X	MG RESISTOR		
	R 509	NRSA63J-330X	MG RESISTOR		
	R 510	NRSA63J-330X	MG RESISTOR		
	R 511	NRSA63J-330X	MG RESISTOR		
	R 512	NRSA63J-330X	MG RESISTOR		
	R 513	NRSA63J-330X	MG RESISTOR		
	R 514	NRSA63J-330X	MG RESISTOR		
	R 515	NRSA63J-330X	MG RESISTOR		
	R 516	NRSA63J-330X	MG RESISTOR		
	R 517	NRSA63J-330X	MG RESISTOR		
	R 518	NRSA63J-330X	MG RESISTOR		
	R 519	NRSA63J-330X	MG RESISTOR		
	R 520	NRSA63J-330X	MG RESISTOR		
	R 521	NRSA63J-330X	MG RESISTOR		

△	Item	Parts number	Parts name	Remarks	Area
	R 522	NRSA63J-330X	MG RESISTOR		
	R 523	NRSA63J-181X	MG RESISTOR		
	R 524	NRSA63J-181X	MG RESISTOR		
	R 525	NRSA63J-181X	MG RESISTOR		
	R 526	NRSA63J-181X	MG RESISTOR		
	R 527	NRSA63J-181X	MG RESISTOR		
	R 528	NRSA63J-181X	MG RESISTOR		
	R 529	NRSA63J-181X	MG RESISTOR		
	R 530	NRSA63J-181X	MG RESISTOR		
	R 531	NRSA63J-330X	MG RESISTOR		
	R 532	NRSA63J-0R0X	MG RESISTOR		
	R 533	NRSA63J-330X	MG RESISTOR		
	R 534	NRSA63J-330X	MG RESISTOR		
	R 535	NRSA63J-330X	MG RESISTOR		
	R 536	NRSA63J-330X	MG RESISTOR		
	R 537	NRSA63J-330X	MG RESISTOR		
	R 538	NRSA63J-330X	MG RESISTOR		
	R 539	NRSA63J-330X	MG RESISTOR		
	R 540	NRSA63J-330X	MG RESISTOR		
	R 541	NRSA63J-0R0X	MG RESISTOR		
	R 542	NRSA63J-0R0X	MG RESISTOR		
	R 543	NRSA63J-0R0X	MG RESISTOR		
	R 544	NRSA63J-0R0X	MG RESISTOR		
	R 545	NRSA63J-472X	MG RESISTOR		
	R 547	NRSA63J-222X	MG RESISTOR		
	R 548	NRSA63J-332X	MG RESISTOR		
	R 550	NRSA63J-0R0X	MG RESISTOR		
	R 564	NRVA63D-152X	MG RESISTOR		
	R 565	NRVA63D-332X	MF RESISTOR		
	R 571	NRSA63J-100X	MG RESISTOR		
	R 572	NRSA63J-181X	MG RESISTOR		
	R 573	NRSA63J-181X	MG RESISTOR		
	R 574	NRSA63J-181X	MG RESISTOR		
	R 575	NRSA63J-181X	MG RESISTOR		
	R 576	NRSA63J-181X	MG RESISTOR		
	R 577	NRSA63J-181X	MG RESISTOR		
	R 578	NRSA63J-181X	MG RESISTOR		
	R 579	NRSA63J-181X	MG RESISTOR		
	R 580	NRSA63J-181X	MG RESISTOR		
	R 581	NRSA63J-101X	MG RESISTOR		
	R 582	NRSA63J-181X	MG RESISTOR		
	R 586	NRVA63D-122X	MG RESISTOR		
	R 587	NRVA63D-122X	MG RESISTOR		
	R 588	NRVA63D-102X	CMF RESISTOR		
	R 589	NRVA63D-102X	CMF RESISTOR		
	X 301	NAX0375-001X	CRYSTAL	16.9344MHZ	
	X 401	NAX0331-001X	C RESONATOR		

## ■ Electrical parts list (Relay board)

Block No. 04

△	Item	Parts number	Parts name	Remarks	Area
	C 13	NCS31HJ-101X	C CAPACITOR		
	CN 10	QGF0501F4-40X	FFC/FPC CONNE	FOR MAIN	
	CN 12	QGF1012F1-30X	FPC CONNE	FOR P.U	
	IC 1	GP2S60B-X	IC(PHOTO COUPLE		
	K 10	NQR0265-003X	FERRITE BEADS		
	K 11	NQR0265-003X	FERRITE BEADS		
	K 12	NQR0265-003X	FERRITE BEADS		
	K 13	NQR0265-003X	FERRITE BEADS		
	K 14	NQR0265-003X	FERRITE BEADS		
	K 15	NQR0265-003X	FERRITE BEADS		
	K 16	NQR0265-003X	FERRITE BEADS		
	K 17	NQR0265-003X	FERRITE BEADS		
	K 18	NQR0265-003X	FERRITE BEADS		
	R 10	NRSA63J-391X	MG RESISTOR		
	R 11	NRSA63J-910X	MG RESISTOR		
	R 12	NRSA63J-911X	MG RESISTOR		
	S 10	QSW0620-001	SWITCH	REST SWITCH	
	S 11	NSW0127-001X	SLIDE SWITCH	SHORT SWITCH	

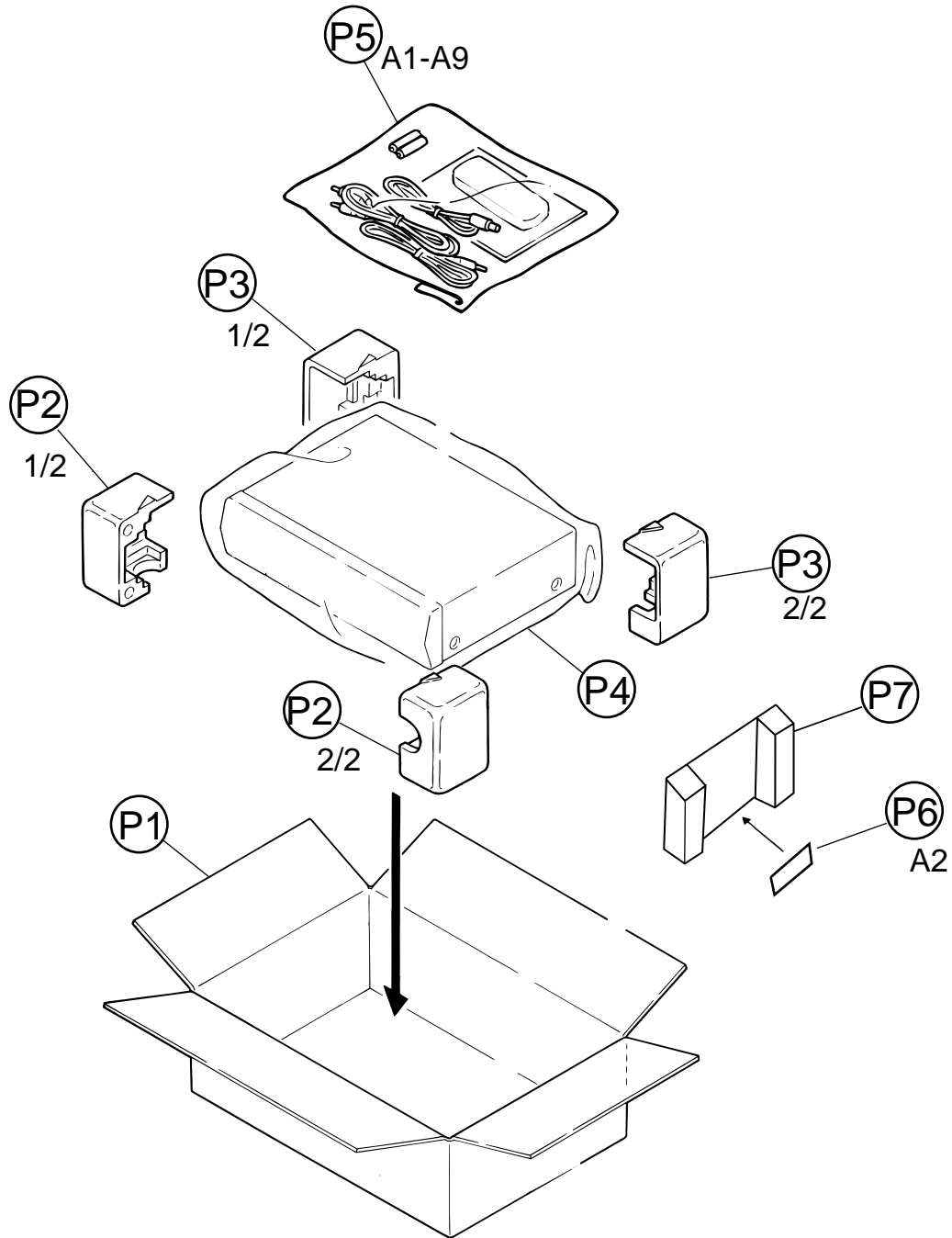
# Packing materials and accessories parts list

Block No. 

M	4	M	M
---	---	---	---

Block No. 

M	5	M	M
---	---	---	---



**Parts list (Packing)**

Block No. M4MM

△	Item	Parts number	Parts name	Q'ty	Description	Area
	P 1	LV20711-001A	CARTON BOX	1	XV-523GD	B
		LV20826-001A	CARTON BOX	1	XV-522SL	B
		LV20711-002A	CARTON BOX	1	XV-523GD	EN,ES,EG
		LV20826-002A	CARTON BOX	1	XV-522SL	EN,ES,EG
		LV20708-004A	CARTON BOX	1	XV-521BK	EE
		LV20708-003A	CARTON BOX	1	XV-521BK	EN,ES,EG
		LV20708-002A	CARTON BOX	1	XV-521BK	B
	P 2	LV20699-001A	CUSHION(F)	1		
	P 3	LV20700-001A	CUSHION(R)	1		
	P 4	QPC06005515P	POLY BAG	1	FOR SET	
	P 5	QPC02504015P	POLY BAG	1		
	P 6	QPC02503510P	POLY BAG	1	FOR POWER CORD	B
	P 7	LV32012-001A	PACKING SHEET	1		B

**Parts list (Accessories)**

Block No. M5MM

△	Item	Parts number	Parts name	Q'ty	Description	Area
	A 1	LVT0435-007A	INST.BOOK	1	SWE.FIN,DAN	EN
		LVT0435-005A	INST.BOOK	1	GER.FRE.DUT	EG
		LVT0435-006A	INST.BOOK	1	SPA,ITA	ES
		LVT0435-009A	INST.BOOK	1	RUS	EE
		LVT0435-004B	INST BOOK	1	ENG	B
△	A 2	QMPP060-183-JD	POWER CORD	1		B
△		QMP39F0-183E	POWER CORD	1		EN,ES,EG,EE
	A 3	BT-54012-1	WARRANTY CARD	1		EE
		BT-54008-2	WARRANTY CARD	1		EN,ES,EG,B
	A 4	VNA3000-202	REGIST.CARD	1		B
△	A 5	PEAC0359-120	AV CORD 3P	1	AV CORD	
	A 6	QAM0005-002	S-VIDEO CORD	1	S-VIDEO	
	A 8	RM-SXV521E	REMOCON UNIT	1	XV-521BK	
		RM-SXV523E	REMOCON UNIT	1	XV-523GD/522SL	
	A 9	-----	BATTERY	1	FOR REMOCON	